

YILMAZ REDUKTOR GST FORM - 1

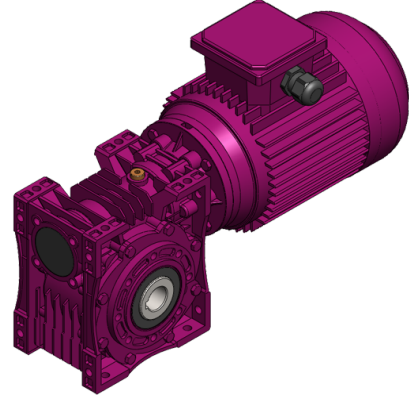
Technical Specifications

Type:	EV125-E063-3E80M/4C
Input Type:	IEC B14
Voltage and Frequency:	50 Hz - 400 V
Motor Efficiency Class:	IE3
Motor Power [kW]:	0.55
n2 [rpm]:	1.6
Output Torque [Nm]:	1190
Ratio:	884.5
Service Factor:	1
Output Bearings:	Standard
Fqam (Std.) [N]:	8200
Fama (Std+) [N]:	2050
Current IE3 [A]:	1.34
Cos Fi IE3:	0.73
Motor Efficiency (4/4) IE3:	81.2
Oil Quantity:	3.4
Weight [kg]:	75

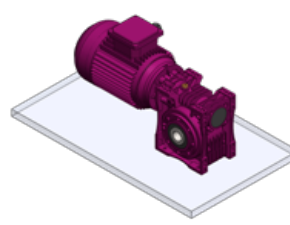
Gearbox Options

Torque Arm:L 90°

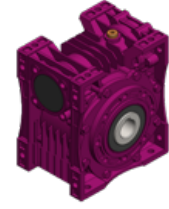
Drawings



Gearbox Type:EV



Mounting Position:M1



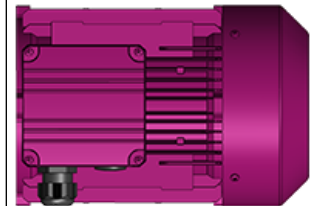
Output:00-With Hollow Shaft...



Terminal Box:Pos. 1



Input Type:IEC B14



Cable Side:A